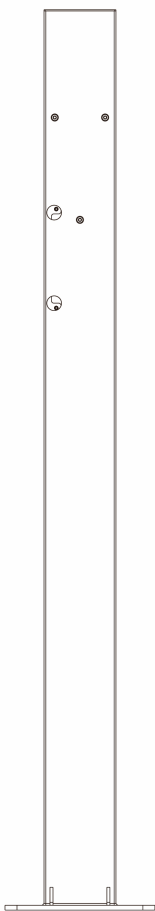


Quick Installation Guide

EV Charger Pedestal



I. Safety Instructions

Before installing, operating or maintaining this product, it is important to read and ensure that the contents of the following Quick Installation Guide are fully understood. Failure to follow all the specified instructions and procedures, will invalidate the warranty and as such Solplanet will not be liable for any claims for compensation.

WARNING

- All work on the equipment must only be carried out by qualified personnel who have read and fully understood all safety information and installation requirements contained in this guide.
- The Pedestal must be out of reach from children.
- The EV charger must be connected to a protective earth conductor.
- The electrical installation must comply with all applicable local safety requirements, standards and guidelines.
- No modifications, not limited to mechanical or electrical, must be made to the EV charger.
- Components should not be changed or replaced by the end-user or unqualified personnel.

II. Installation Environment

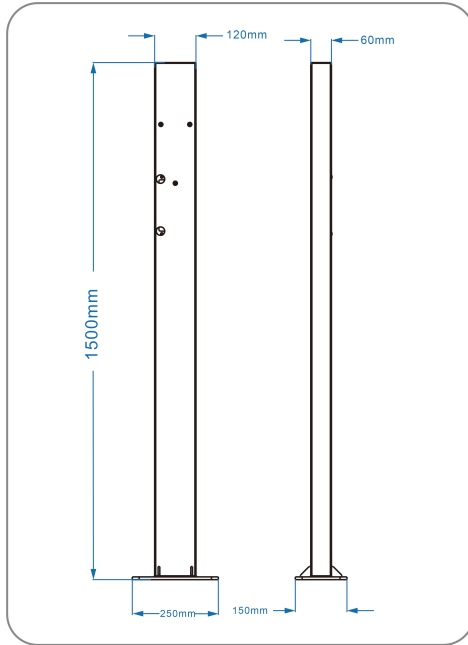
WARNING

- Danger to life due to fire or explosion.
- Despite careful construction, if installed incorrectly or mounted in unsuitable locations, electrical devices can cause fires. This can result in death or serious injury.
- Do not mount the EV charger in areas containing highly flammable materials or gases.
- Do not mount the EV charger in potentially explosive atmospheres.

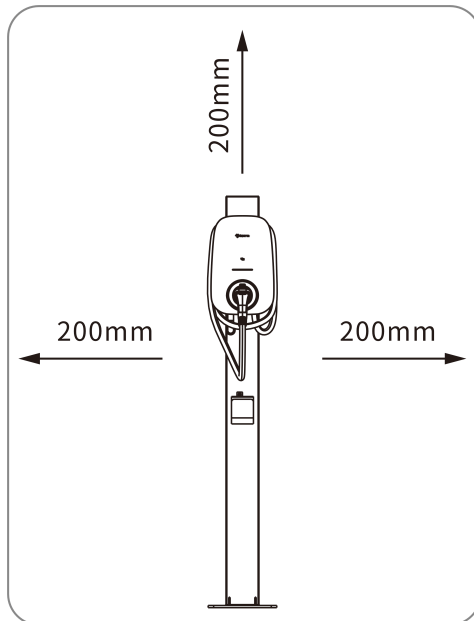
Requirements for mounting location:

- A solid support and an even support surface, e.g. concrete or masonry, must be available for mounting.
- The installation location must not be close to the fire.
- The ambient temperature should be between -25°C and +50°C.
- The ambient humidity should be between 5-95%.

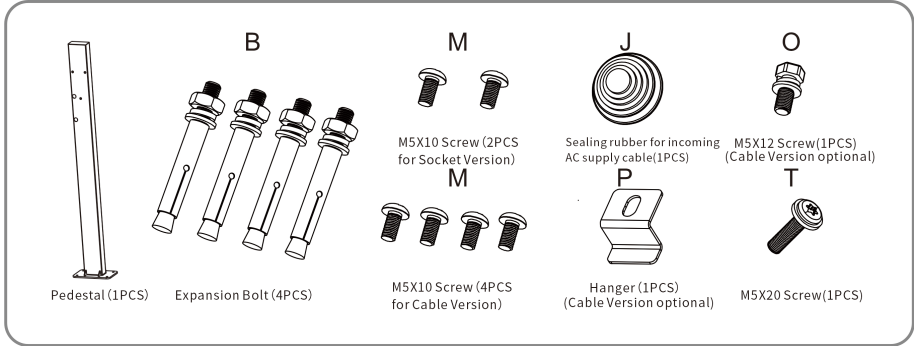
The installation requires at least an area of 250mm x 150mm x 1500mm.



A minimum clearance of 200mm from other equipment or objects must be maintained.

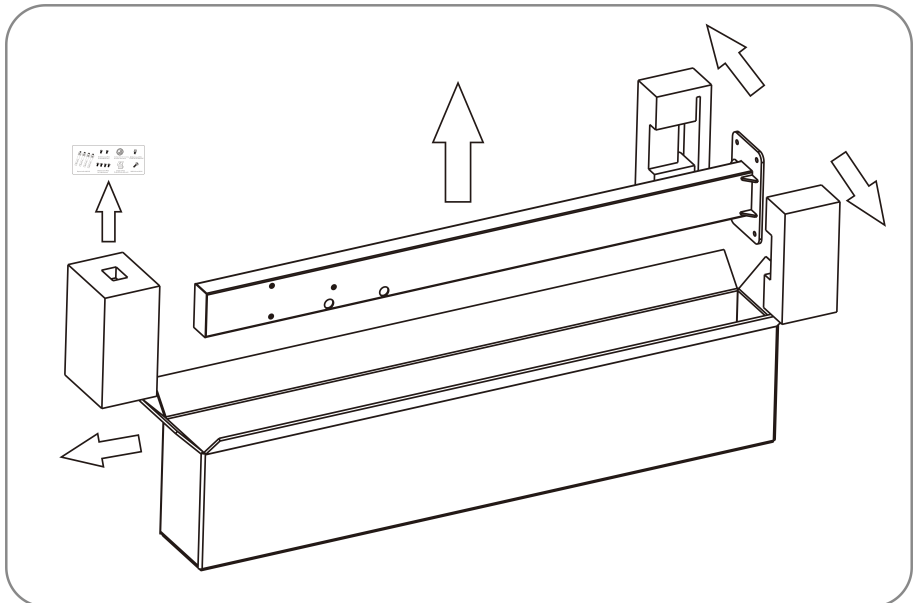


III. Scope of delivery



IV. Pedestal Installation

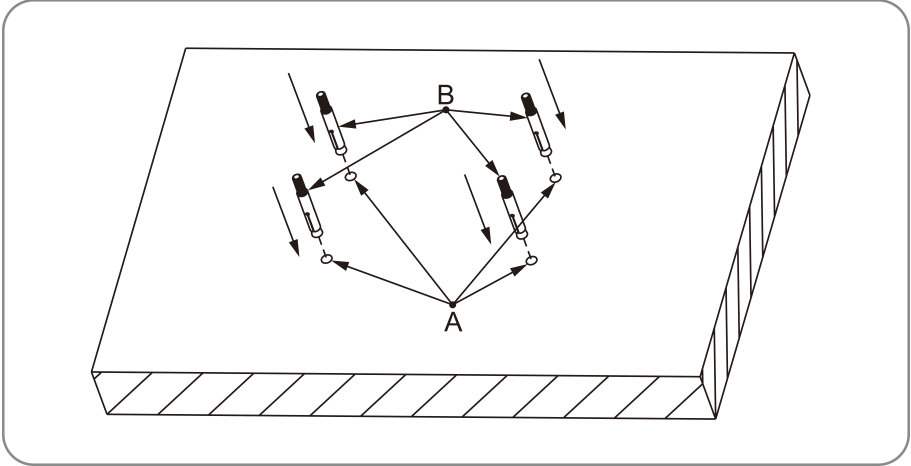
Step 1: Take the pedestal and accessories out of package.



Step 2:

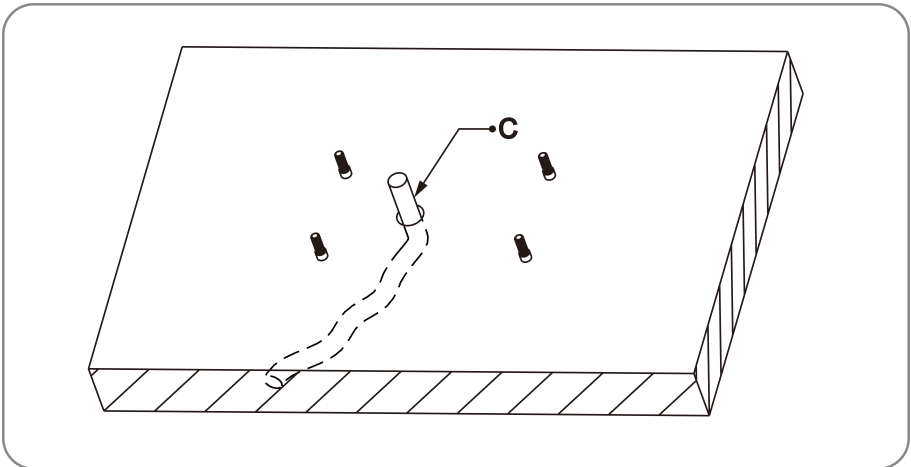
- Place the pedestal on the mounting location and mark four drilling positions.
- Drill four holes(A) in the floor and insert four expansion bolts(B) into the holes.

Note: The recommended depth of hole is 65mm and the recommended diameter of hole is 10mm.

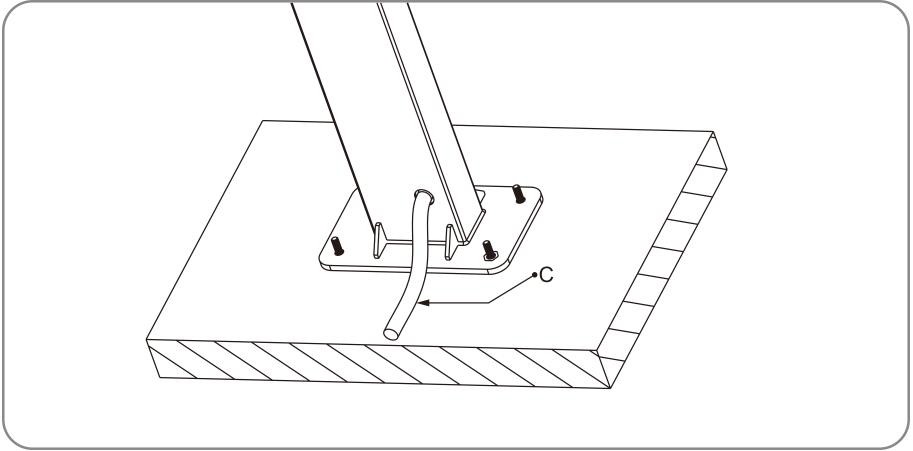


Step 3: The incoming AC supply cable layout.

Option 1: The incoming AC supply cable(C) from underground. (Note: Drilling holes where placing the incoming AC supply cable is not recommended located in the middle and it will cause interference between pedestal and incoming AC supply cable)

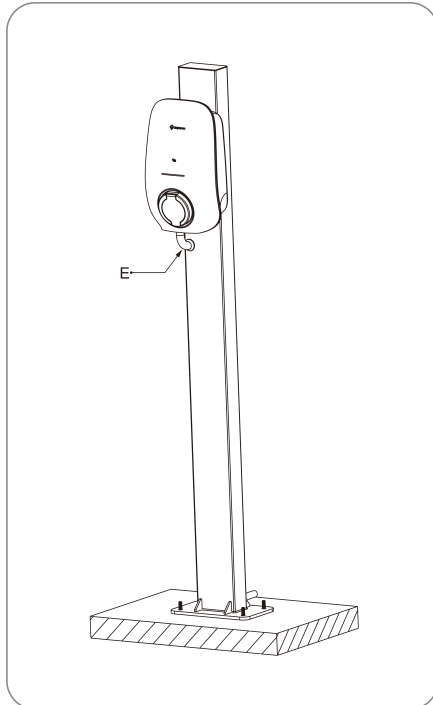


Option 2: Place the incoming AC supply cable(C) above the ground.

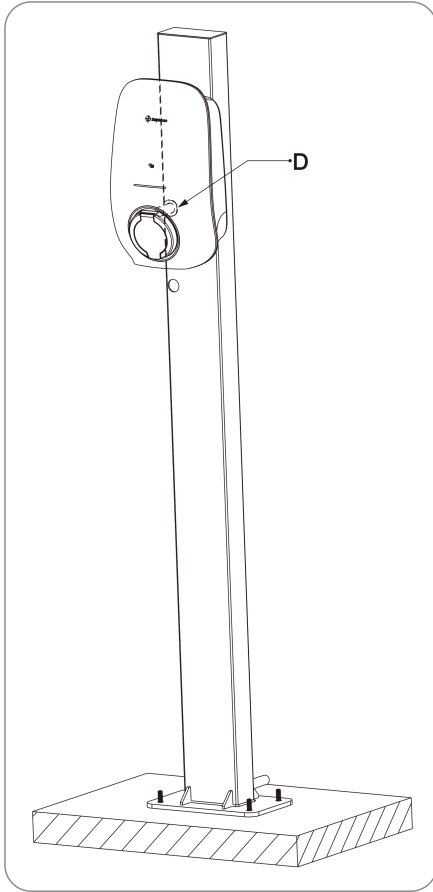


Step 4: Choosing the ways how incoming AC supply cable be installed to the EV charger.

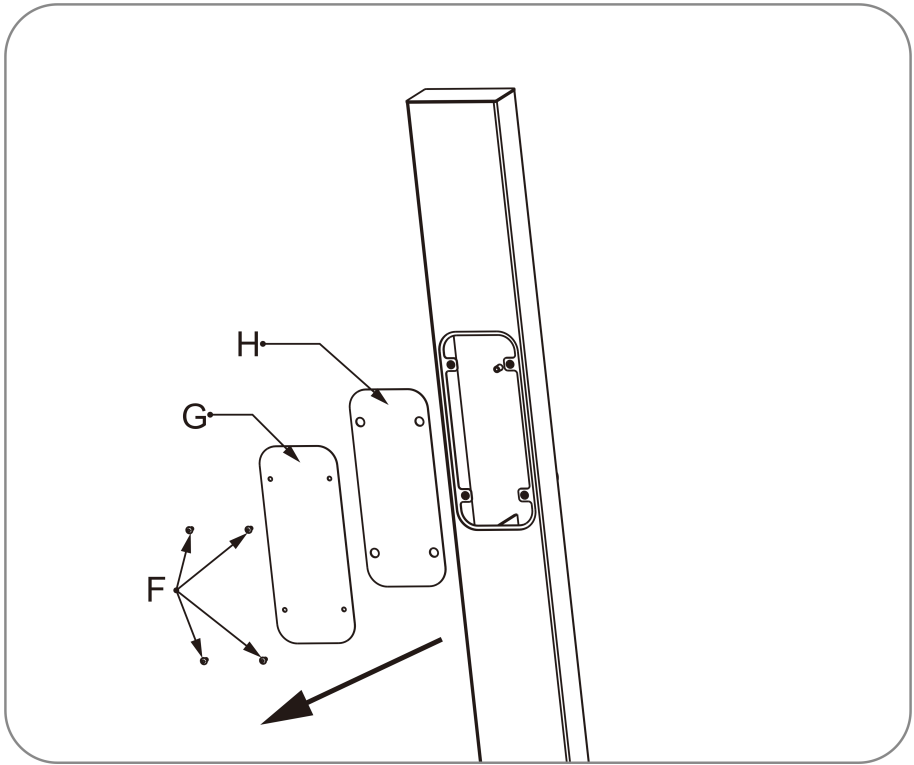
Option 1: Insert the incoming AC supply cable through lower hole(E) on the pedestal.



Option 2: Place the incoming AC supply cable through upper hole(D) on the pedestal.

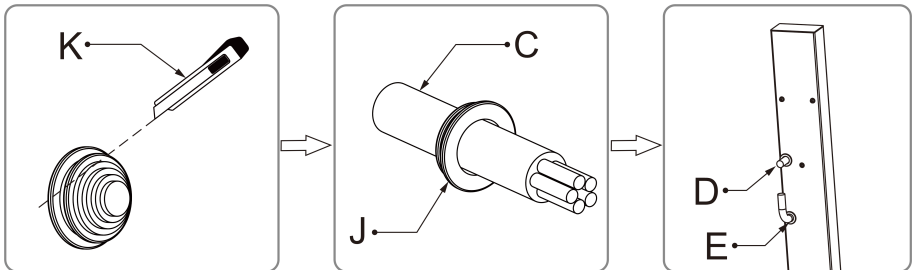


Step 5: Demount four screws(F) from the pedestal. Then take down cover(G) and sealing rubber(H) out of the pedestal.



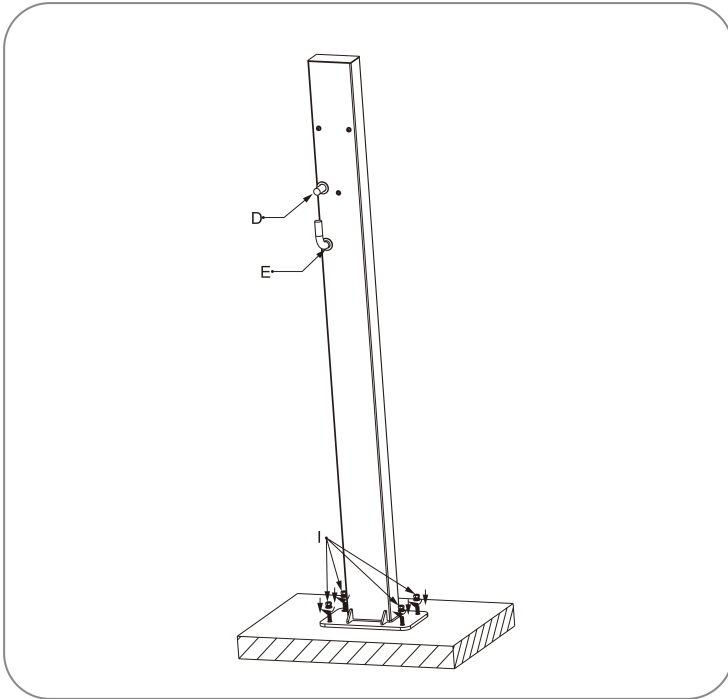
Step 6:

- Make an incision with a knife(K) on the grommet(J) according to the power supply cable diameter.
- Thread the cable(C) through the grommet(J).
- Secure the grommet on the pedestal hole at D or E.



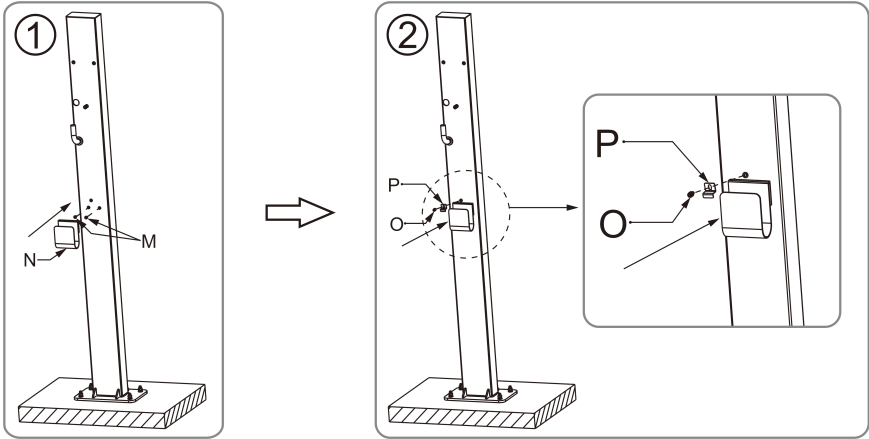
Step 7:

- Push the incoming AC supply cable through the inner space of the pedestal and make it out at the position of D or E.
- Then tighten four nuts(I) on four expansion screws with 8.5Nm recommended torque.



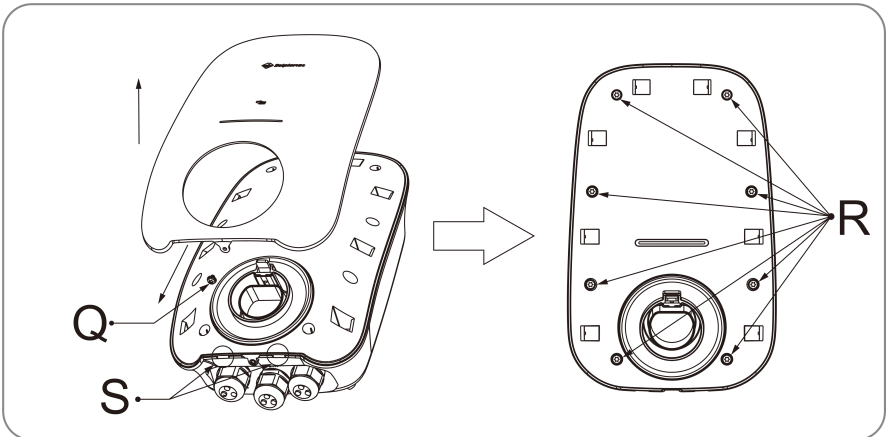
Step 8: Cable holder fastening (Cable version optional):

- Take the cable holder(N) and two M5X10 screws(M) from the delivery. Install but not tight the two screws into the pull rivet column with 2~3mm gap.
- Hang the cable holder(N) on these two screws.
- Install the hanger(P) to fix the cable holder by tightening a M5X12 screw(O) with 3Nm recommended torque.



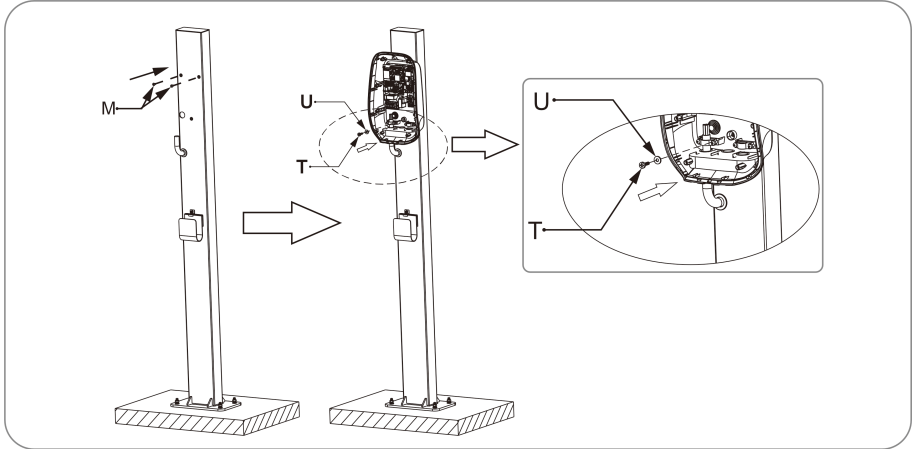
Step 9:

- Remove the bottom screw(Q) on the flat workbench. It is recommended to start at the bottom of enclosure(S) when removing the decorative cover.
- Remove eight screws(R) located on the top cover.
- Remove the top cover. (Take care the cable wires that connect to top cover for the socket version)



Step 10:

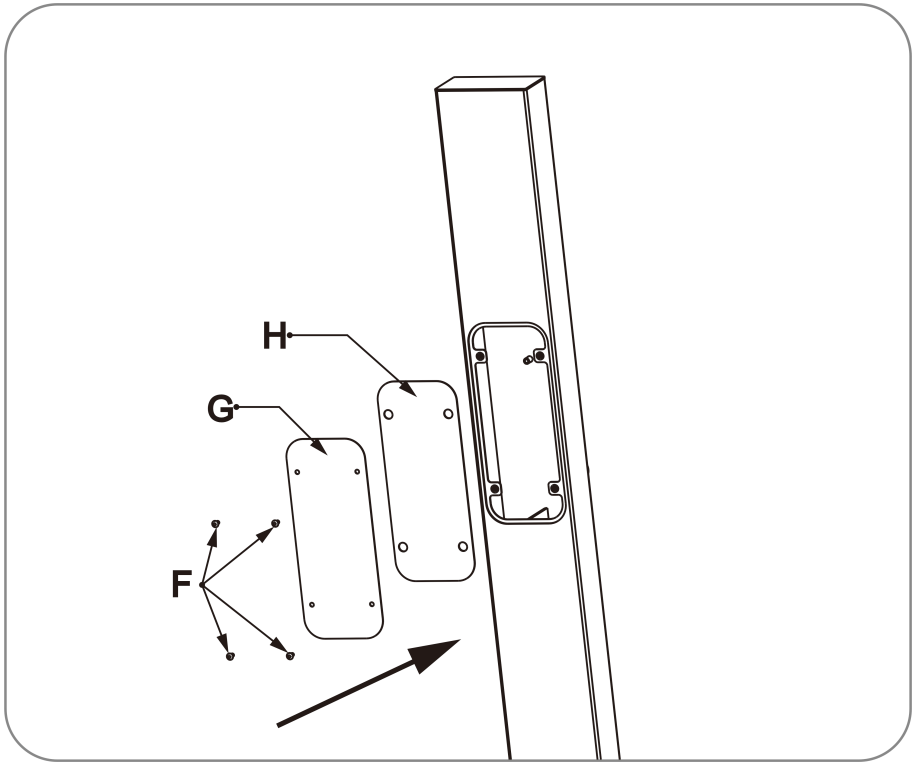
- Install but not tight the two M5X10(M) screws into the pull rivet column with 2-3mm gap.
- Hang the EV charger without decorative cover and top cover on the screw(M).
- Thread the M5X20 screw(T) through the sealing rubber(U) located at the sealing rubber accessory in EV charger's package.
- Fasten the mounting screw(T) to secure the enclosure with recommended 3Nm torque.

**Step 11: AC connection and communication setup.**

Please refer to Quick installation guide about EV charger for detail information.

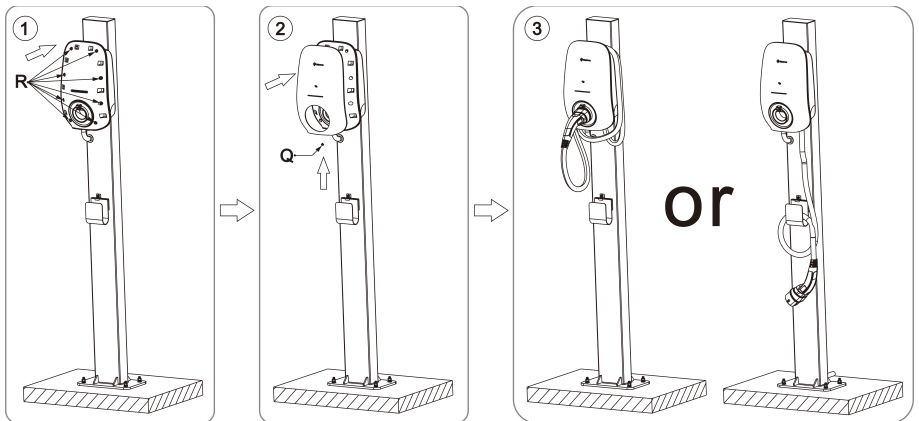
Step 12:

- Install the back cover(G) and sealing rubber(H) to the pedestal.
- Fasten four screws(F).



Step 13:

- Take the top cover and then install eight screws(R) located on the top cover.
- Take the decorative cover and then install one screw(Q).
- Finish the installation.



V. Contact

If you have any technical problems with our products, please contact us.

Provide the following information when you initiate a service request:

- Charger device type
- Charger serial number
- Error code
- Mounting location
- Proof of purchase

Service Contact:

Website: <https://solplanet.net/contact-us/>

You can submit your claims online by visiting our website:

<https://solplanet.net/claims/>

You will receive a response within 24 hours.

AISWEI New Energy Technology (Yangzhong) Co, Ltd.

Add: No.588 Gangxing Road, Yangzhong Jiangsu, China

Web: <https://solplanet.net>

Scan QR code:



Android

Scan QR code:



iOS

